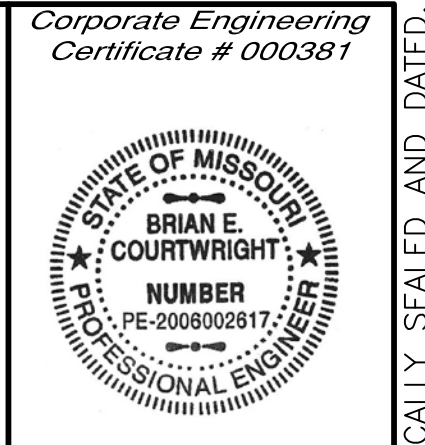
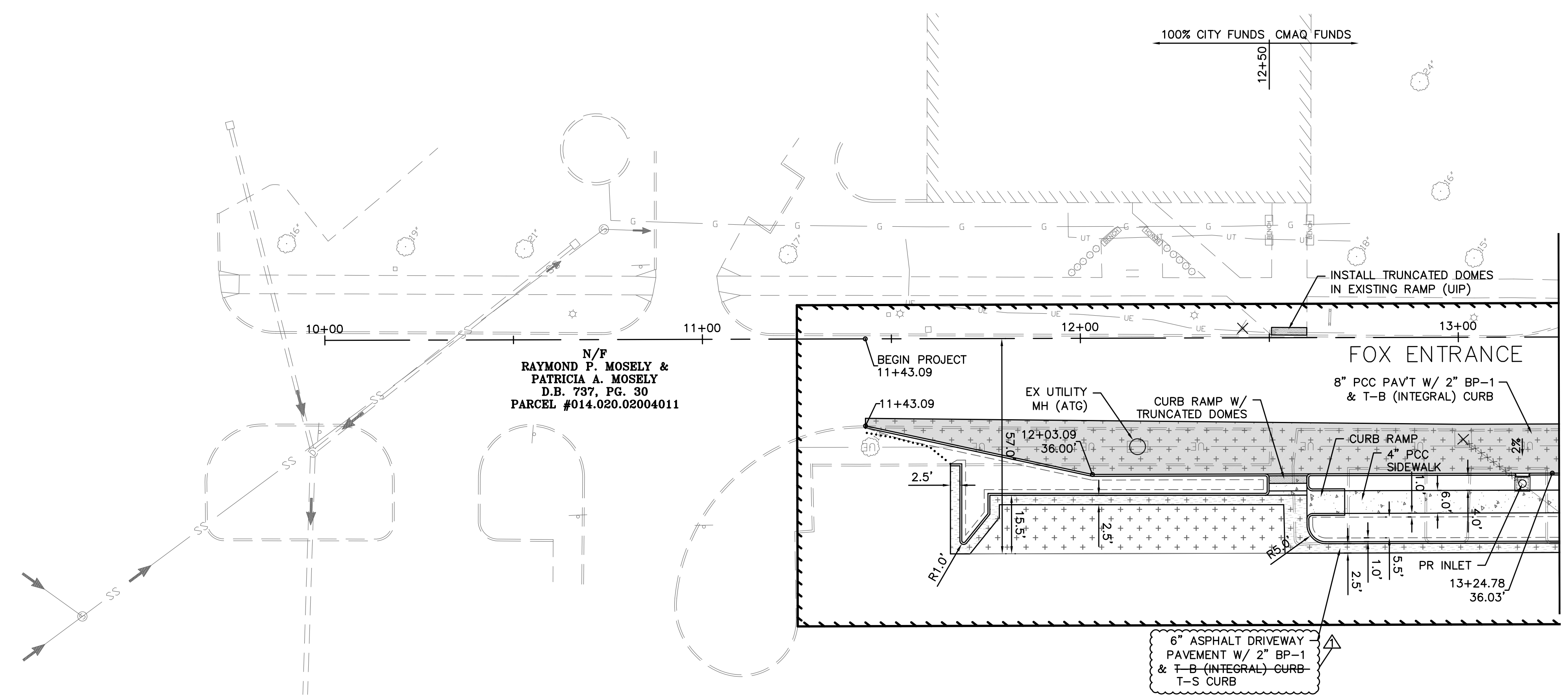
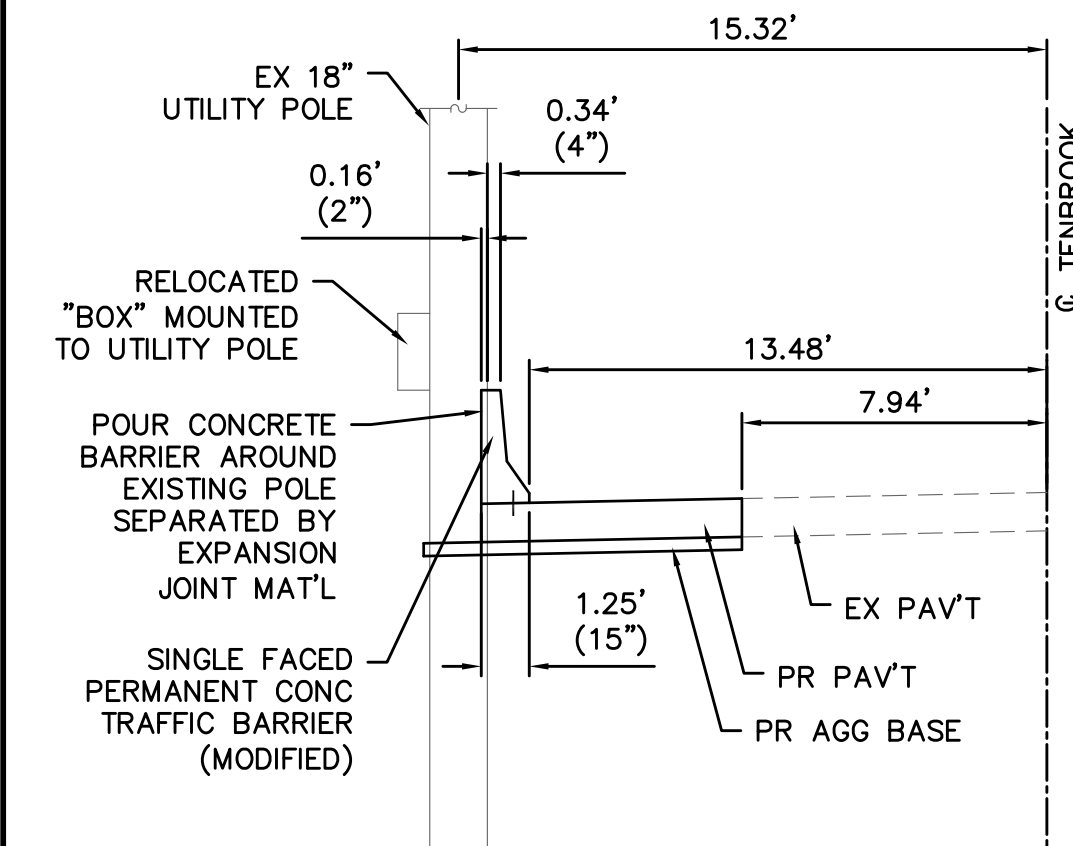
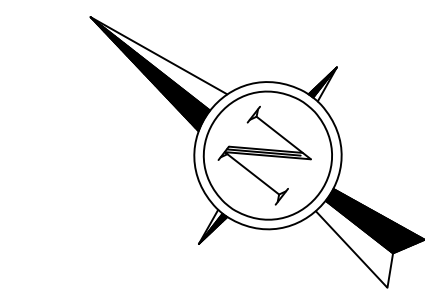
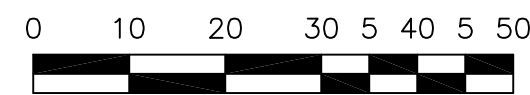


PROPOSED LEGEND

- EX - EXISTING
- PR - PROPOSED
- UIP - USE IN PLACE
- ATG - ADJUST TO GRADE
- TBR - TO BE REMOVED
- P.E. - PRIVATE ENTRANCE
- C.E. - COMMERCIAL ENTRANCE
- F.E. - FIELD ENTRANCE

- PR 8" PCC WIDENING W/ 2" RESURFACING
- PR RESURFACING AREA
- PR PCC ITEM
- PR PCC HERRINGBONE STAMPED AREA



CIVIL ENGINEER

DATE PREPARED: **1/26/18**

ROUTE: MO

DISTRICT: SL

SHEET NO: **11**

COUNTY: JEFFERSON

JOB NO.: 129-15

CONTRACT ID.

PROJECT NO.

BRIDGE NO.

DESCRIPTION

DATE	DESCRIPTION
3/9/16	MoDOT PRELIMINARY APPROVAL
12/5/17	FINAL R/W PLANS (REV)
12/13/17	PRELIM PLANS
1/26/18	PS&E PLANS
5/29/18	ADDENDUM 1

TRANSPORTATION ENGINEERS+PLANNERS

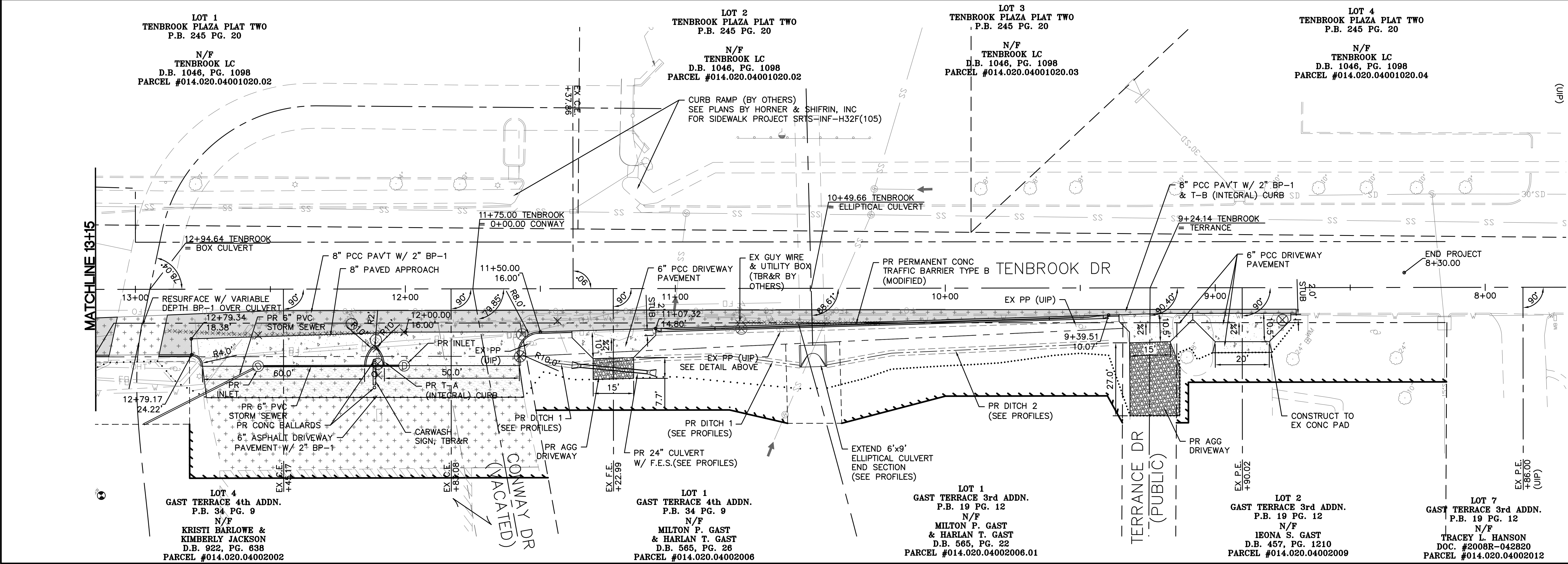
12400 OLIVE BLVD SUITE 430
ST. LOUIS, MO 63141
(314) 878-6644

450 COTTONWOOD RD, SUITE B
GLEN CARON, IL 62034
(618) 656-2612
www.cbtraffic.com

PLAN SHEET

ROADWAY IMPROVEMENTS
JEFFCO BLVD AND TENBROOK RD
ARNOLD, MISSOURI
CMAQ-5403(668) TIP 6624-16

IF A SEAL IS PRESENT ON THIS SHEET IT HAS BEEN ELECTRONICALLY SEALED AND DATED.



LOT 1
TENBROOK PLAZA PLAT TWO
P.B. 245 PG. 20

N/F
TENBROOK LC
D.B. 1046, PG. 1098
PARCEL #014.020.04001020.02

LOT 2
TENBROOK PLAZA PLAT TWO
P.B. 245 PG. 20

N/F
TENBROOK LC
D.B. 1046, PG. 1098
PARCEL #014.020.04001020.02

LOT 3
TENBROOK PLAZA PLAT TWO
P.B. 245 PG. 20

N/F
TENBROOK LC
D.B. 1046, PG. 1098
PARCEL #014.020.04001020.03

LOT 4
TENBROOK PLAZA PLAT TWO
P.B. 245 PG. 20

N/F
TENBROOK LC
D.B. 1046, PG. 1098
PARCEL #014.020.04001020.04

LOT 4
GAST TERRACE 4th ADDN.
P.B. 34 PG. 9

N/F
KRISTI BARLOWE &
KIMBERLY JACKSON
D.B. 922, PG. 638
PARCEL #014.020.04002002

LOT 1
GAST TERRACE 4th ADDN.
P.B. 34 PG. 9

N/F
MILTON P. GAST
& HARLAN T. GAST
D.B. 565, PG. 26
PARCEL #014.020.04002006

LOT 1
GAST TERRACE 3rd ADDN.
P.B. 19 PG. 12

N/F
MILTON P. GAST
& HARLAN T. GAST
D.B. 565, PG. 22
PARCEL #014.020.04002006.01

LOT 2
GAST TERRACE 3rd ADDN.
P.B. 19 PG. 12

N/F
IRONA S. GAST
D.B. 457, PG. 1210
PARCEL #014.020.04002009

LOT 7
GAST TERRACE 3rd ADDN.
P.B. 19 PG. 12

N/F
TRACEY L. HANSON
DOC. #2008-042820
PARCEL #014.020.04002012